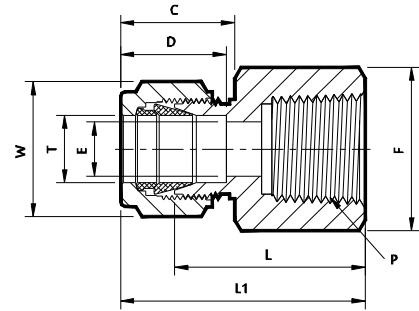
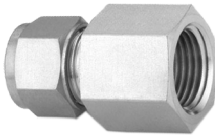


## 2.4 Female Connector

### 02. Metric Tube x NPT (F)

Material - **SS 304 | SS 316**



Sr. No.	TUBE OD Ø T	NPT Female Pipe Size P	Ref. Part No.		ØE	D	C	L	L1	Body Hex F	Nut Hex W
			SS 304	SS 316							
	(mm)	(Inch)	MFCD4	MFCD6	Dimensions in Millimetres						
1	6 x 1/8		6MFCD2Nx4	6MFCD2Nx6	4.8	15.3	17.7	23.9	31.3	14.2	14.2
2	6 x 1/4		6MFCD4Nx4	6MFCD4Nx6	4.8			28.4	35.8	19	
3	6 x 3/8		6MFCD6Nx4	6MFCD6Nx6	4.8			30.2	37.6	22.2	
4	6 x 1/2		6MFCD8Nx4	6MFCD8Nx6	4.8			35.1	42.5	27	
5	8 x 1/8		8MFCD2Nx4	8MFCD2Nx6	6.4	16.2	18.6	24.6	32.1	16	16
6	8 x 1/4		8MFCD4Nx4	8MFCD4Nx6	6.4			29.5	37.0	19	
7	8 x 3/8		8MFCD6Nx4	8MFCD6Nx6	6.4			31.0	38.5	22.2	
8	8 x 1/2		8MFCD8Nx4	8MFCD8Nx6	6.4			35.8	43.3	27	
9	10 x 1/4		10MFCD4Nx4	10MFCD4Nx6	7.9	17.2	19.5	30.2	37.8	19	19
10	10 x 3/8		10MFCD6Nx4	10MFCD6Nx6	7.9			31.8	39.4	22.2	
11	10 x 1/2		10MFCD8Nx4	10MFCD8Nx6	7.9			36.6	44.2	27	
12	12 x 1/4		12MFCD4Nx4	12MFCD4Nx6	9.5	22.8	22.0	30.2	40.3	22.2	22.2
13	12 x 3/8		12MFCD6Nx4	12MFCD6Nx6	9.5			31.8	41.9	22.2	
14	12 x 1/2		12MFCD8Nx4	12MFCD8Nx6	9.5			36.6	46.7	27	
15	15 x 1/2		15MFCD8Nx4	15MFCD8Nx6	11.9	24.4	22.0	36.6	46.7	27	25.4
16	16 x 3/8		16MFCD6Nx4	16MFCD6Nx6	9.5			31.8	41.9	27	
17	16 x 1/2		16MFCD8Nx4	16MFCD8Nx6	12.7	24.4	22.0	36.8	46.9	27	25.4
18	20 x 1/2		20MFCD8Nx4	20MFCD8Nx6	15.9	26.0	22.0	37.8	47.9	30	
19	20 x 3/4		20MFCD12Nx4	20MFCD12Nx6	15.9			39.6	49.7	35	
20	22 x 3/4		22MFCD12Nx4	22MFCD12Nx6	18.3	26.0	22.0	39.6	49.7	35	32
21	22 x 1		22MFCD16Nx4	22MFCD16Nx6	18.3			47.8	57.9	41	
22	25 x 3/4		25MFCD12Nx4	25MFCD12Nx6	21.8	31.3	26.5	41.1	53.4	35	38
23	25 x 1		25MFCD16Nx4	25MFCD16Nx6	21.8			50.0	62.3	41	

- NOTE :
- ① The E Dimension is the minimum opening.
  - ② Dimension L1, C, D is shown in the finger-tight position.
  - ③ NPT thread as per ANSI B 1.20.1.